

# 2MP 44X Starlight Network PTZ Dome Camera

IPC6852SR-X44U



## Key Features

### Optics

- 44X Optical Zoom
- Starlight illumination
- Accurate and fast focusing
- Optical Defog Supported
- Up to 120dB Optical WDR (Wide Dynamic Range)
- The Fifth-generation infrared technology, more than 250m (820ft) IR distance
- Optical glass window with higher light transmittance
- IR anti-reflection window to increase the infrared transmittance
- Smart IR
- EIS (Electronic Image Stabilization)

### Compression

- Ultra 265, H.265, H.264, MJPEG
- Triple streams
- 1080P@60fps supported

## Network

- ONVIF Conformance

## Structure

- Innovative snow-removing functionality
- More effective heat dissipation system
- Intelligent temperature control technology
- 6KV surge protection designed for network interface
- Fast Installing structure designed

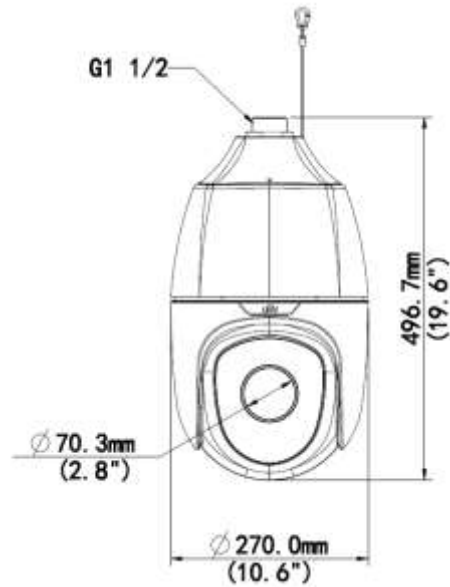
## Specifications

| IPC6852SR-X44U          |  |            |             |               |              |
|-------------------------|--|------------|-------------|---------------|--------------|
| <b>Camera</b>           |  |            |             |               |              |
| Sensor                  | 1/2.8", 2.0 megapixel, progressive scan, CMOS  |            |             |               |              |
| Lens                    | 5 ~ 220mm, AF automatic focusing and motorized zoom lens   |            |             |               |              |
| Digital Zoom            | 16   |            |             |               |              |
| Optical Zoom            | 44   |            |             |               |              |
| DORI Distance           | Lens (mm)  | Detect (m) | Observe (m) | Recognize (m) | Identify (m) |
|                         | 5  | 77.6       | 31          | 15.5          | 7.8          |
|                         | 220  | 3413.8     | 1365.5      | 682.8         | 341.4        |
| Angle of View (H)       | 60.6° ~ 1.8°   |            |             |               |              |
| Angle of View (V)       | 34.8° ~ 0.8°   |            |             |               |              |
| Angle of View (O)       | 74.5° ~ 2.1°   |            |             |               |              |
| Shutter                 | Auto/Manual; shutter time: 1 ~ 1/100000s   |            |             |               |              |
| Minimum Illumination    | Colour: 0.002Lux (F1.2, AGC ON)<br>0Lux with IR  |            |             |               |              |
| Iris                    | Auto/Manual; F1.2 ~ F3.5   |            |             |               |              |
| Day/Night               | IR-cut filter with auto switch (ICR)   |            |             |               |              |
| Digital noise reduction | 2D/3D DNR  |            |             |               |              |
| S/N                     | >52dB  |            |             |               |              |
| IR Range                | Up to 250m (820ft)   |            |             |               |              |
| WDR                     | 120dB  |            |             |               |              |
| <b>Video</b>            |  |            |             |               |              |
| Video Compression       | Ultra 265, H.265, H.264, MJPEG   |            |             |               |              |
| H.264 code profile      | Baseline profile, Main Profile, High Profile   |            |             |               |              |
| Frame Rate              | Main Stream: 2MP (1920*1080), Max 60fps;<br>Sub Stream: 2MP (1920*1080), Max 60fps;<br>Third Stream: D1 (720*576), Max 60fps |            |             |               |              |
| HLC                     | Supported  |            |             |               |              |
| BLC                     | Supported  |            |             |               |              |

|                        |  |
|------------------------|--|
| EIS                    | Supported  |
| OSD                    | Up to 8 OSDs   |
| Privacy Mask           | Up to 24 areas   |
| ROI                    | Up to 8 areas  |
| Motion Detection       | Up to 4 areas  |
| <b>Smart</b>           |  |
| General Function       | Watermark, IP Address Filtering, Tampering Alarm, Alarm input, Alarm output, Access Policy, ARP Protection, RTSP Authentication, User Authentication |
| <b>Audio</b>           |  |
| Audio Compression      | G.711  |
| Two-way audio          | Supported  |
| Suppression            | Supported  |
| Sampling Rate          | 8KHZ   |
| <b>Storage</b>         |  |
| Edge Storage           | Micro SD, up to 256GB  |
| Network Storage        | ANR  |
| <b>Network</b>         |  |
| Protocols              | IPv4, IGMP, ICMP, ARP, TCP, UDP, DHCP, PPPoE, RTP, RTSP, RTCP, DNS, DDNS, NTP, FTP, UPnP, HTTP, HTTPS, SMTP, 802.1x, SNMP, QoS                       |
| Compatible Integration | ONVIF (Profile S, Profile G, Profile T), API   |
| <b>Pan &amp; Tilt</b>  |  |
| Pan Range              | 360° (endless)   |
| Pan Speed              | 0.1°/s ~ 240°/s  |
|                        | Preset speed: 300°/s   |
| Tilt Range             | -15° ~ 90° (auto reverse)  |
| Tilt Speed             | 0.1° ~ 160°/s  |
|                        | Preset speed: 240°/s   |
| Number of Presets      | 1024   |
| Patrol                 | Preset patrol, route patrol, recorded patrol   |
| Home Position          | Supported  |
| <b>Interface</b>       |  |
| Audio I/O              | Audio cable  |
|                        | 1 Input: impedance 35kΩ; amplitude 2V [p-p]  |
|                        | 1 Output: impedance 600Ω; amplitude 2V [p-p]   |
| Alarm I/O              | 2/1  |
| Serial Port            | 1 RS485  |
| Network                | 1 RJ45 10M/100M Base-TX Ethernet   |
| Video Output           | 1 BNC, impedance 75Ω; amplitude 1V [p-p]   |
| <b>General</b>         |  |
| Power                  | AC 24V±25% (Default), DC 24V±25%   |
|                        | Power consumption: 16 ~ 56W  |
| Dimensions (Ø x H)     | Φ270 × 496.7mm (Φ10.6" x 19.6")  |
| Weight                 | 9.69kg (21.4lb)  |
| Working Environment    | -40°C ~ 70°C (-40°F ~ 158°F), Humidity: ≤95% RH (non-condensing)   |
| Ingress Protection     | IP66   |

|              |  |
|--------------|--|
| Heat         | Built-in Heater and Temperature control system |
| Reset Button | Supported                                      |

## Dimensions



### Zhejiang Uniview Technologies Co., Ltd.

Building No.10, Wanlun Science Park, Jiangling Road 88, Binjiang District, Hangzhou, Zhejiang, China (310051)

Email: [overseasbusiness@uniview.com](mailto:overseasbusiness@uniview.com); [globalsupport@uniview.com](mailto:globalsupport@uniview.com)

<http://www.uniview.com>

©2019 Zhejiang Uniview Technologies Co., Ltd. All rights reserved.

\*Product specifications and availability are subject to change without notice.